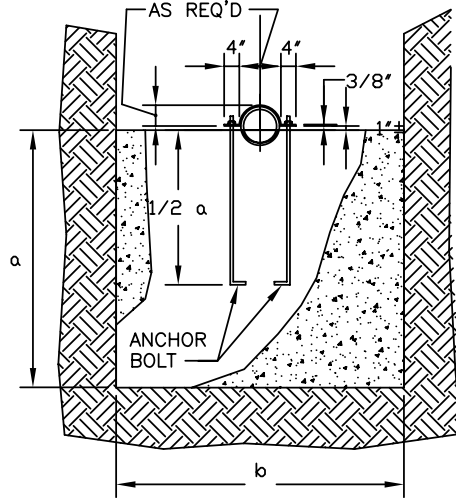
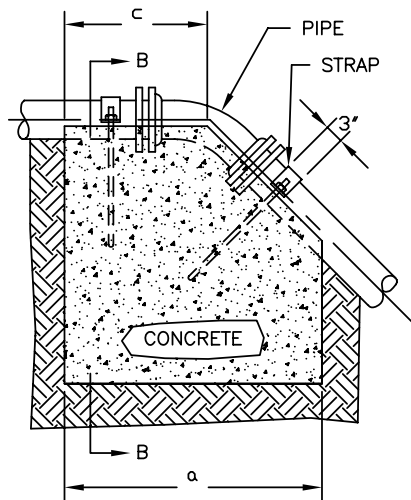


# VERTICAL ANCHOR DIMENSIONS

UP TO 150 P.S.I. WORKING PRESSURE

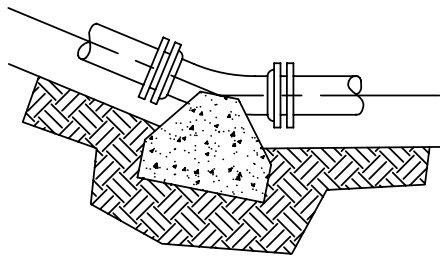
PIPE SIZE	45° BEND				22 1/2° BEND				11 1/4° BEND			
	DIMENSION			ROD DIA.	DIMENSION			ROD DIA.	DIMENSION			ROD DIA.
	a	b	c		a	b	c		a	b	c	
4"	3'-0"	3'-0"	2'-0"	3/4"	2'-6"	2'-3"	1'-6"	3/4"	2'-0"	2'-0"	1'-6"	3/4"
6"	3'-0"	3'-0"	2'-0"	3/4"	2'-6"	2'-3"	1'-6"	3/4"	2'-0"	2'-0"	1'-6"	3/4"
8"	3'-6"	3'-6"	2'-6"	3/4"	3'-0"	3'-0"	1'-9"	3/4"	2'-6"	2'-6"	1'-3"	3/4"
10"	4'-3"	4'-0"	3'-0"	3/4"	3'-6"	3'-3"	2'-0"	3/4"	2'-9"	2'-9"	1'-6"	3/4"
12"	4'-9"	4'-6"	3'-3"	3/4"	4'-0"	3'-9"	2'-6"	3/4"	3'-3"	3'-3"	1'-9"	3/4"



ELEVATION

VERTICAL BEND SECTION E-E

ALL EXPOSED PORTIONS OF ANCHOR STRAPS TO RECEIVE TWO FIELD COATS (MIN.) OF BITUMASTIC MATERIAL

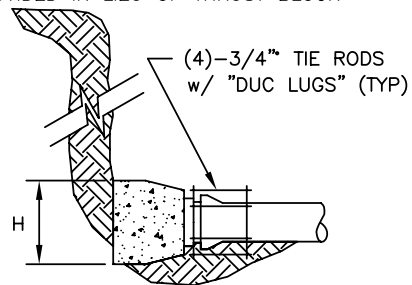
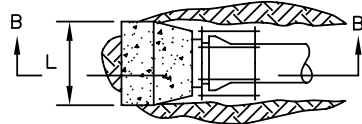


### RESTRAINED PLUG OR CAP

NOTE: SEE CHART "HORIZONTAL ANCHOR DIMENSIONS"

TIE RODS TO BE PROVIDED IN LIEU OF THRUST BLOCK

USE SAME DIMENSIONS AS FOR HORIZONTAL BEND ANCHORS



PLAN

SECTION C-C

MECHANICAL RESTRAINT REQUIRED, CONCRETE (SEE SPEC)

LEGEND SYMBOL	CENTRAL HOOKSETT WATER PRECINCT	DRAWN BY	SCALE NONE
	TYPICAL VERTICAL RESTRAINT	DESIGNED BY	LAST REVISION JAN. 10, 2007
	DETAIL CLASS.: STANDARD	CHECKED BY	DETAIL NO. TYP A-5